



Aluminum Tank Industries, Inc.

**GAS AUXILIARY TANKS**

Part #	Style	"A"	"B"	"C"	"D"	"E"	"F"	Gal
AUX30RG	RECT	9"	48 ½"	19"				30
AUX41RG	RECT	19"	48 ½"	11"				41
AUX42RG	RECT	12"	48 ½"	19"				42
AUX43RG	RECT	16 ½"	***58"	12"				43
AUX46RG	RECT	16 ½"	57"	12"				46
AUX51RG	RECT	24"	*60 1/2"	9"				51
AUX58RG	RECT	13"	***58"	21"				58
AUX65RG	RECT	13"	**60 1/2"	21"				62
AUX66RG	RECT	17"	55"	18"				66
AUX60WG	WEDGE	4"	56"	20"	18"	6"		60
AUX80LG	L-SHAPE	9 ½"	48 ½"	28"	26"	8"	16 ½"	80

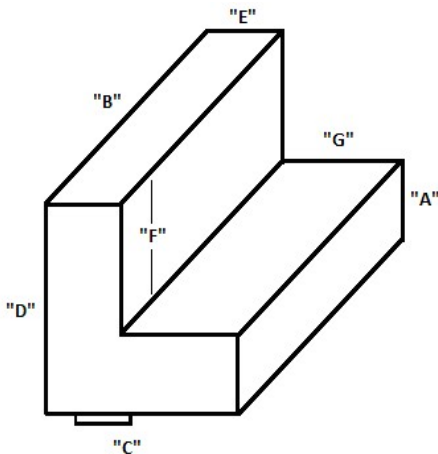
- \* AUX51 is 55 ½" across the bottom – Sides of tank taper in at bottom
- \*\*AUX65R is 54 1/2" across the bottom - Sides of tank taper in at bottom
- \*\*\* AUX43 and AUX58 are 51" across the bottom - Sides of tank are notched out

**GAS AUXILIARY TANK AND TOOLBOX COMBOS**

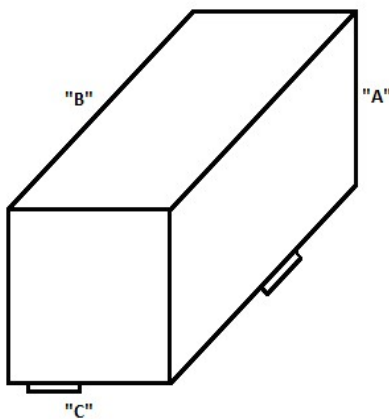
Part #	Style	"A"	"B"	"C"		Gal
AUX30CBRG	COMBO	18"	48 ½"	19"	Toolbox is 42" x 19" x 9"	30
AUX42CBR9G	COMBO	21"	48 ½"	19"	Toolbox is 42" x 19" x 9"	42
AUX58CBRG	COMBO	19"	**58"	21"	Toolbox is 52" x 19" x 6"	58
AUX65CBRG	COMBO	19"	*60 1/2"	21"	***Toolbox is 52" x 19" x 6"	62

- \*AUX65CBR is 54 1/2" across the bottom - Sides of tank taper in at bottom
- \*\*AUX58CBR is 51" across the bottom - Sides of tank are notched out
- \*\*\*AUX65CBR Toolbox dimensions change see legend

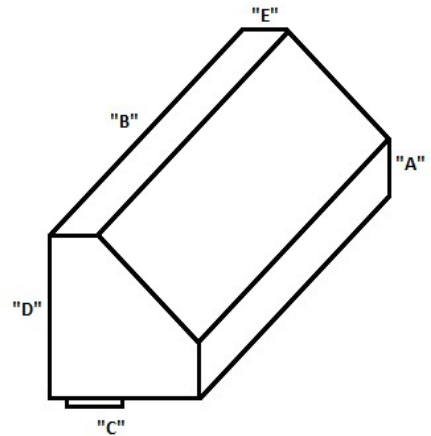
**Tank Dimensions**



**L Shape**



**Rectangle**



**Wedge**