



Aluminum Tank Industries, Inc.

**DIESEL AUXILIARY TANKS**

Part #	Style	"A"	"B"	"C"	"D"	"E"	"F"	Gal
AUX30R	RECT	9"	48 ½"	19"				30
AUX41R	RECT	19"	48 ½"	11"				41
AUX42R	RECT	12"	48 ½"	19"				42
AUX43R	RECT	16 ½"	***58"	12"				43
AUX46R	RECT	16 ½"	57"	12"				46
AUX51R	RECT	24"	*60 1/2"	9"				51
AUX58R	RECT	13"	***58"	21"				58
AUX65R	RECT	13"	**60 1/2"	21"				62
AUX66R	RECT	17"	55"	18"				66
AUX60W	WEDGE	4"	56"	20"	18"	6"		60
AUX80L	L-SHAPE	9 ½"	48 ½"	28"	26"	8"	16 ½"	80

\* AUX51 is 55 ½" across the bottom – Sides of tank taper in at bottom

\*\*AUX65R is 54 ½" across the bottom - Sides of tank taper in at bottom

\*\*\* AUX43 and AUX58 are 51" across the bottom - Sides of tank are notched out

-Add IK to end of part number for diesel tank with install kit for all Ford, Dodge 2001-2012, GM 2011-C

-Add IKC to end of part number for diesel tank with install kit for GM models thru 2010

-Add IKD to end of part number for diesel tank with install kit for 2013-C Dodge

**DIESEL AUXILIARY TANK AND TOOLBOX COMBOS**

Part #	Style	"A"	"B"	"C"		Gal
AUX30CBR	COMBO	18"	48 ½"	19"	Toolbox is 42" x 19" x 9"	30
AUX42CBR9	COMBO	21"	48 ½"	19"	Toolbox is 42" x 19" x 9"	42
AUX58CBR	COMBO	19"	**58"	21"	Toolbox is 52" x 19" x 6"	58
AUX65CBR	COMBO	19"	*60 1/2"	21"	***Toolbox is 52" x 19" x 6"	62

\*AUX65CBR is 54 1/2" across the bottom - Sides of tank taper in at bottom

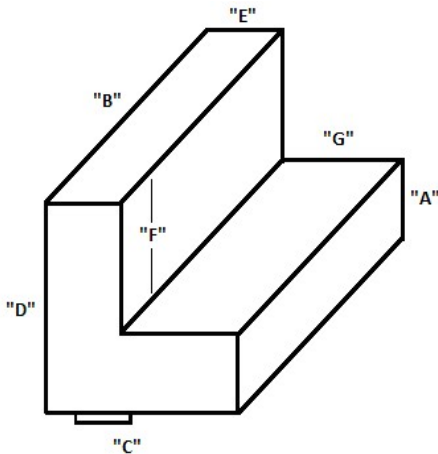
\*\*AUX58CBR is 51" across the bottom - Sides of tank are notched out

\*\*\*AUX65CBR Toolbox dimensions change see legend

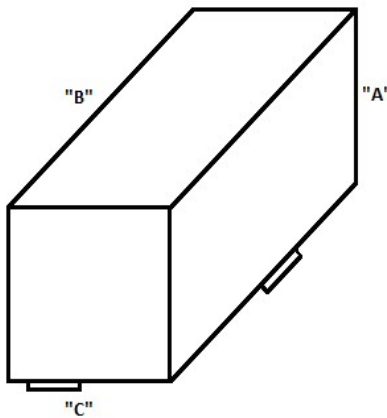
**FUEL SHOTZ Diesel Auxiliary Install Kit Only**

FUEL SHOTZ Application Guide	
Vehicle Description	Part #
Ford/Dodge thru 2012/2011-C GM	AIK15FD
GM Models thru 2010	AIK20C
2013-C Dodge	AIK175D

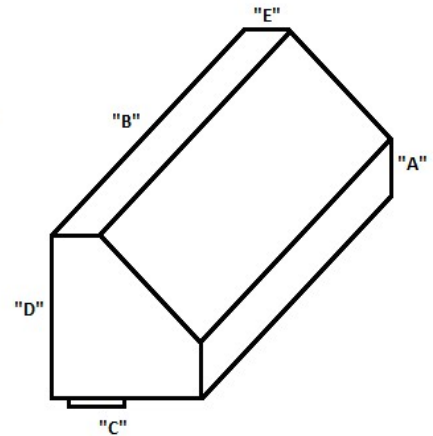
**Tank Dimensions**



**L Shape**



**Rectangle**



**Wedge**