



Aluminum Tank Industries, Inc.

Gasoline Auxiliary Tanks

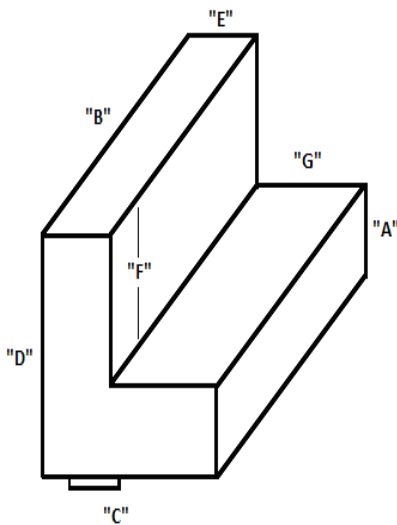
Part #	Style	"A"	"B"	"C"	"D"	"E"	"F"	Gal
AUX30RG	RECT	9"	48 ½"	19"				30
AUX41RG	RECT	19"	48 ½"	11"				41
AUX42RG	RECT	12"	48 ½"	19"				42
AUX43RG	RCET	16 ½"	58"	12"				43
AUX46RG	RECT	16 ½"	57"	12"				46
AUX51RG	RECT	24"	60"	9"				51
AUX58RG	RECT	13"	58"	21"				58
AUX65RG	RECT	13"	60"	21"				62
AUX66RG	RECT	17"	55"	18"				66
AUX60WG	WEDGE	4"	56"	20"	18"	6"		60
AUX80LG	L-SHAPE	9 ½"	48 ½"	28"	26"	8"	16 ½"	80

*AUX43RG & AUX58RG are 51" across the bottom- Sides of tank are notched out.

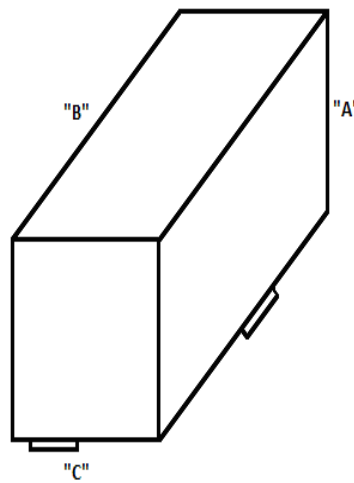
Gasoline Auxiliary Tank/Toolbox Combos

Part #	Style	"A"	"B"	"C"		Gal
AUX30CBRG	COMBO	18"	48 ½"	19"	Toolbox is 42" x 19" x 9"	30
AUX42CBRG	COMBO	18"	48 ½"	19"	Toolbox is 42" x 19" x 6"	42
AUX42CBR9G	COMBO	21"	48 ½"	19"	Toolbox is 42" x 19" x 9"	42
AUX58CBRG	COMBO	19"	58"	21"	Toolbox is 52" x 19" x 6"	58
AUX65CBRG	COMBO	19"	60"	21"	Toolbox is 54" x 21" x 6"	65

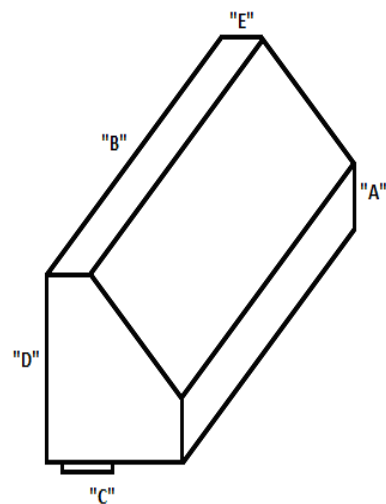
*AUX65CBR is 54" across the bottom - Sides of tank taper in at bottom



L-Shaped



Rectangle



Wedge